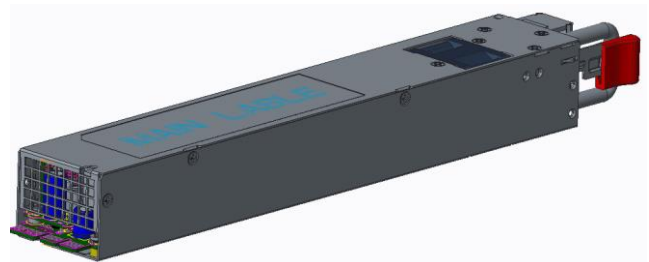
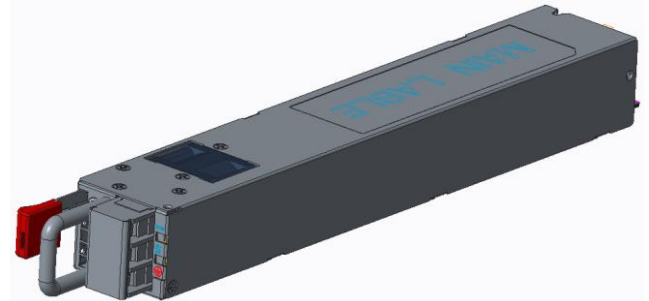


LITEON Server Power Supply 850W, 50.5mm

Features:


- 80 PLUS® Platinum
- Holdup Time: $\geq 3\text{ms}$ @850W
- DC Input Range: -36Vdc ~ -72Vdc
- Output Voltage 12 Vdc, + 5 VSB
- N+N (max.=4) Redundant power supply with Hot plug, current sharing & remote sensing
- Self-cooling with fan speed control / one Bi-color LED indicators
- PMBus Compliant 1.2
- Protection include OCP, OVP, UVP, OTP and Brownout
- 850W is in 50.5mm (W) x40mm (H) x 300mm (L)
- Altitude: 5,000 meters
- Operating Temperature: -5°C ~ 55°C(850W)
- Compliance EMC IEC/EN 61000
- EMI Class B, -4dB margin
- Safety Certificates: IEC/EN 60950-1, IEC/EN62368 3rd and UL/CUL 3rd




Electrical Specifications:


Parameter	Description	Parameter	Description
Input voltage	DC input -36Vdc ~ -72Vdc	Main Output Voltage(12VDC)	12.0Vdc \pm 5%
		SB Output Voltage (SB)	5.0Vdc \pm 5%
iTHD	NA	12VDC Current Rating	70A @ -36Vdc ~ -72Vdc
Power Factor (PF)	NA	Capacitive Load	22,000uF
		SB Current Rating	3A
Efficiency	94% @ 50% load	Power Rating	850W @ -36Vdc ~ -72Vdc
Redundant	N+N Redundant, 4pcs maximum	Hold Up Time	3ms @ 850W

LITEON Server Power Supply 850W, 50.5mm

 Protection			
Parameter	Description	Parameter	Description
12VDC OCP @ High Line	Current is above 91A for 1s, or Current is above 101.5A for 20ms (Hiccup mode)	SB OCP	Current is above 5.1A (Hiccup mode)
12VDC OCP @ Low Line	NA	SB OVP	Voltage is above 6.0V~7.2V (Auto recovery mode)
12VDC OVP	Voltage is above 13.3V~15.6V (Latch Mode)		
12VDC UVP	Voltage is below 10.0V ~ 11.0V (Hiccup mode)	Over Temperature	Ambient Temperature (Auto recovery mode)
Input Brownout	Voltage is below -32Vdc (Auto recovery mode)	Input OVP	Voltage is above 85Vdc (Auto recovery mode)

 Control Signal / Indicate Signal / LED			
Parameter	Description	Parameter	Description
PSON_L	Input signal PSON_L = LOW to turn on 12VDC	PMBus	Version 1.2 I2C interface with 100KHz
		ALERT_L	Output signal ALERT_L = LOW to indicate WARNING event (Event Programmable)
PSKILL_H	Input signal PSKILL_H = HIGH to disable 12VDC	LED	Green Flashing --> Standby mode
			Green Solid --> 12VDC active mode
			Red Solid --> Fault protection Red Flashing -> warning event.
PWOK_H	Output signal PWOK_H = High to indicate the 12VDC existence	PDB_ALERT	Input signal PDB_ALERT = HIGH: fan follows PSU control. PDB_ALERT = LOW: fan works at maximum speed.
INPUTOK_H	Output signal INPUTOK_H = High to indicate Input existence	PDB_FAULT	Input signal PDB_FAULT = HIGH to disable 12VDC

LITEON Server Power Supply 850W, 50.5mm

 Environment / Reliability			
Parameter	Description	Parameter	Description
Operation Temp.	-5deg.C ~ +55deg.C (850W Full Load).	MTBF	200K hours at rated load, 50°C amb. temp.
Operating Humidity	5% ~ 85%	ECAP Life	5 years at rated load, 50°C amb. temp.
Storage Temp.	-40°C ~ 70°C	Air Flow	Normal Mode
Storage Humidity	5% ~ 95%	Fan Life	5 years at rated load, 50°C amb. temp.
Operating Altitude	5000 meters		

Safety Approvals IEC/EN 60950-1, IEC/EN62368 3rd and UL/CUL 3rd		
Insulation safety rating	Input / Output	Reinforce
	Input / Case	Basic
	Output / Case	Functional
Hi-pot strength	Input / Output	1500VDC/1min
	Input / Case	1500VDC/1min
Touch Current	NA	
EMC Requirements		
Radiated Emissions CISPR 22/ EN55022/ FCC Part 15	Class B / -4dB	
Conducted Emissions CISPR 22/ EN55022/ FCC Part 15	Class B / -4dB	
EN61000-3-2 Harmonics (AC Rated Input Current <=16A per phase)	NA	
EN61000-3-3 Voltage Fluctuations and Flicker (AC Rated Input Current <=16A per phase)	NA	
IEC61000-4-2 ESD	8kV Contact / 15kV Air	
IEC61000-4-3 Radiated Immunity	80-1000Mhz 3V/m, Criteria A	
IEC61000-4-4 EFT (5kHz and 100kHz repetition rates)	1KV, Criteria A.	
EC61000-4-5 Surge (For NEBS requirement)	±1.0 kV CM, ±1.0 kV DM, Criteria A	

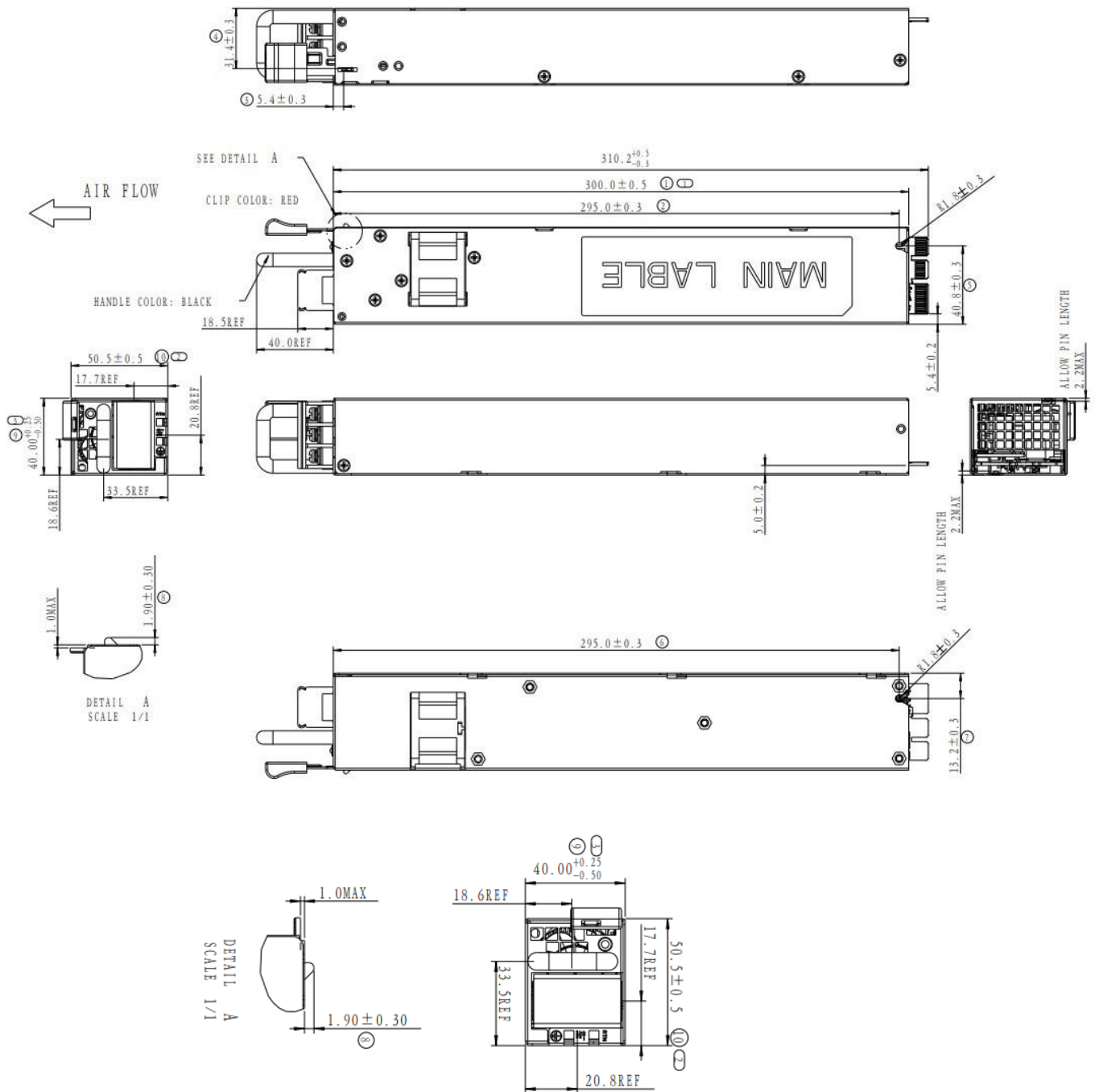


LITEON Server Power Supply 850W, 50.5mm

IEC61000-4-6 Conducted Immunity	150KHz-80MHz, 3Vrms, Performance Criteria A required
IEC61000-4-11 Voltage dips, short interruptions and voltage variations immunity tests	NA

LITEON Server Power Supply 850W, 50.5mm

Dimension:



LITEON Server Power Supply 850W, 50.5mm

DC Inlet Socket	
Connector Type	DINKLE DT-66-C11W-03
Drawing	
Output Connector and Assignment	
Connector Type	OUPIIN (9392-C4S24P04N12CB30DA)
Drawing	

LITEON Server Power Supply 850W, 50.5mm

Pin Definition

PIN	Name	PIN	Name
TP2	GND	BP2	+12V
TP1	GND	BP1	+12V
TS12	5V STBY	BS24	5V STBY
TS11	5V STBY	BS23	5V STBY
TS10	Reserved	BS22	A1 (SMBus address)
TS9	Reserved	BS21	PW_OK
TS8	Reserved	BS20	PS_ON
TS7	Reserved	BS19	PS_KILL
TS6	Reserved	BS18	PMBus SCL
TS5	INPUT_OK	BS17	PMBus SDA
TS4	PDB_ALERT	BS16	SMBus_ALERT
TS3	A0 (SMBus address)	BS15	ISHARE
TS2	PRESENT	BS14	M_SENSE_RTN
TS1	PDB_FAULT	BS13	MAIN_SENSE