

The 2.5KW Power Supply Unit (PSU) efficiently supplies both main output DC power and standby DC power from either AC or DC sources. This compact PSU provides 2.5kW, 12.5V / 200A for main power output and 30W, 12V / 2.5A for standby power applications. In addition, this PSU supports PMBUS1.2 with boot loader, LED status indicators, and circuit protection features.

Key Features

- 2.5kW, 12.5V / 200A main output power
- 30W, 12V / 2.5A standby output power
- Single-phase AC input and DC input
- Interleaved Power Factor Correction (PFC) technique
- High density design (25W / inch³)
- Platinum-rated efficiency
- Parallel redundancy
- 16 sets of unique PSU addresses
- Hold up time 16ms
- PMBUS1.2 communication protocol



Specifications

AC Input	
Input Voltage, nominal	208VAC, 220VAC, 230VAC, 240VAC or 240VDC
Frequency	50/60 Hz, auto sensing
Power Factor at Full Load	>0.98
Input Current THD at Full Load	<5%
Main Power Output	
Output Power	2.5kW
Output Voltage, nominal	12.5VDC
Output Current, maximum	200A
Efficiency AC Mode	>94% @50% load
Standby Power Output	
Output Power	30W
Output Voltage, nominal	12V
Output Current, maximum	2.5A
Communication	
Communication Ports	PMBUS
Communication Protocol	PMBUS1.2
Mechanical	
Dimensions	3.98" x 15.4" x 1.59" (101.1 mm x 390 mm x 40.5 mm)
Weight	5.5lbs (2.5kg)
Environmental	
EMI	CISPR 22 Class A -4dB

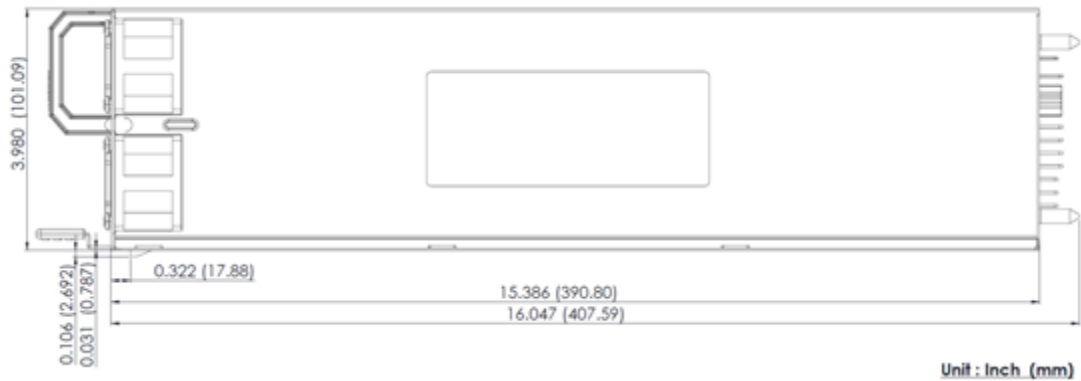
Lite-On Power System Solutions
 3001 Summit Ave, Suite 400
 Plano, TX 75074
 +1 (469) 331-9838
www.liteon-pss.com
 email: pss.sales@liteon.com

Lite-On Power System Solutions
 No. 90, Chien 1 Rd., Chung Ho Dist
 New Taipei City 23585, Taiwan
 +886 -2-2226181 ext 5026
www.liteon-pss.com
 email: pss.sales@liteon.com

Specifications

Acoustic	60dB at 1m
Operating Temperature	0°C to 50°C
Storage Temperature	-20°C to 70°C
Humidity	0% to 90% relative (non-condensing)
Altitude	Operating — 0m to 3,000m
	Storage — 0m to 15,000m
General	
Approvals	UL60950-1, IEC60950-1 International, GB4943, RoHS
Warranty	2 years

Mechanical



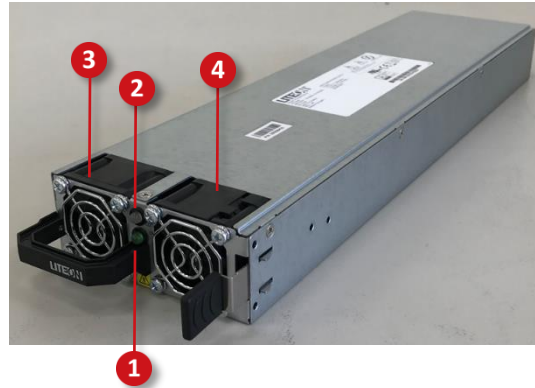
Lite-On Power System Solutions

3001 Summit Ave, Suite 400
Plano, TX 75074
+1 (469) 331-9838
www.liteon-pss.com
email: pss.sales@liteon.com

Lite-On Power System Solutions

No. 90, Chien 1 Rd., Chung Ho Dist
New Taipei City 23585, Taiwan
+886 -2-2226181 ext 5026
www.liteon-pss.com
email: pss.sales@liteon.com

Front Panel



1	LED 1 indicator	Input power LED indicator
2	LED 2 indicator	Output power LED indicator
3	Fan	Cooling fan
4	Fan	Cooling fan

	AC input power			DC output power			
	Normal	Abnormal	Warming	Normal	Abnormal	Warming	PS_ON
LED1	Solid Green	OFF	Blink Green	Solid Green	Solid Green	Solid Green	Solid Green
LED2	Solid Green	OFF	Solid Green	Solid Green	Solid Yellow	Blink Green	Blink Yellow

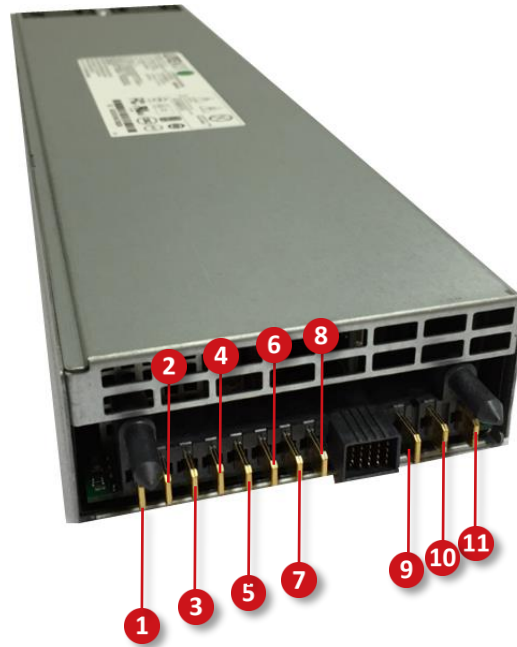
Lite-On Power System Solutions

3001 Summit Ave, Suite 400
Plano, TX 75074
+1 (469) 331-9838
www.liteon-pss.com
email: pss.sales@liteon.com

Lite-On Power System Solutions

No. 90, Chien 1 Rd., Chung Ho Dist
New Taipei City 23585, Taiwan
+886 -2-2226181 ext 5026
www.liteon-pss.com
email: pss.sales@liteon.com

Rear Panel

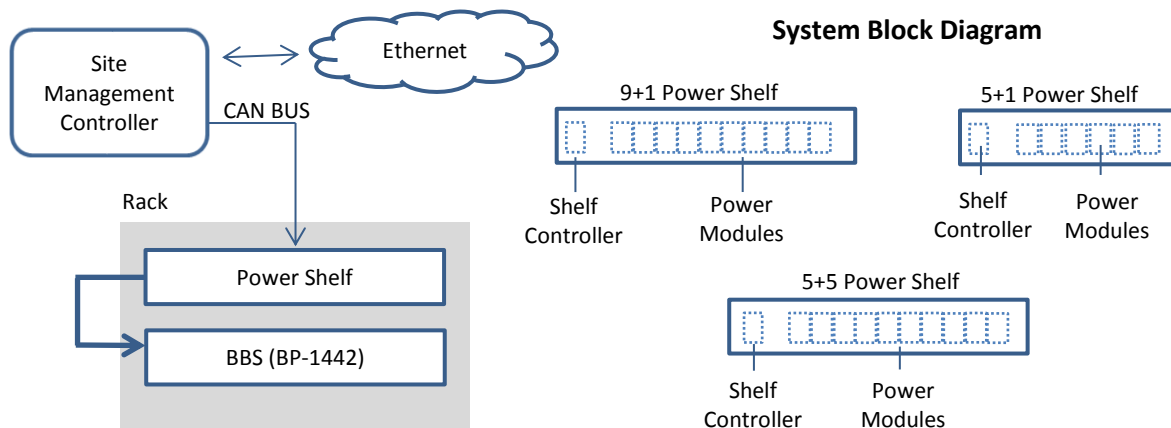


1	Output for +12.5V	Positive output voltage
2	Output for +12.5V	Positive output voltage
3	Output for +12.5V	Positive output voltage
4	Output for +12.5V	Positive output voltage
5	Output for GND	Negative output voltage
6	Output for GND	Negative output voltage
7	Output for GND	Negative output voltage
8	Output for GND	Negative output voltage
9	FG	Frame GND
10	Input voltage Neutral	AC input voltage
11	Input voltage Line	AC input voltage

System Components

The system provides a comprehensive power management and battery backup capability based on existing building block with configuration flexibility to suit specific power, size, and run-time requirements. The table below provides additional information on the building block available to create a customized power solution. Please visit our website for more in-depth information or contact your local Lite-On PSS representative for support.

Component	Model Number	Description
Power Shelf	PF-2223-1L1M	22.5KW (9+1) 3U Power Shelf with ten power module slots and one Shelf Controller slot: <ul style="list-style-type: none"> • Power Module slots (10) • Mini Controller slot (1)
	PF-2123-2LNx	12.5KW (5+5) 3U Power Shelf with ten power module slots and one Mini Controller slot: <ul style="list-style-type: none"> • Power Module slots (10) • Mini Controller slot (1)
Power Module	PS-2252-6L1U	<ul style="list-style-type: none"> • 2.5kW Hot-Swappable Power Module
Battery Backup Shelf	BP-1702-01X	7kW 1U Battery Backup Shelf with 4 slots: Battery Backup unit slots (4)
Battery Backup Unit	BM-1172-01X	1.75kW Battery Backup Unit
Shelf Controller	CM-12CP-010U	Power shelf management and control
Site Management Controller	CP-13EC-010U	Rack management and control
21" Rack	KT-2141-121	21-inch EIA rack



Lite-On Power System Solutions
 3001 Summit Ave, Suite 400
 Plano, TX 75074
 +1 (469) 331-9838
www.liteon-pss.com
 email: pss.sales@liteon.com

Lite-On Power System Solutions
 No. 90, Chien 1 Rd., Chung Ho Dist
 New Taipei City 23585, Taiwan
 +886 -2-2226181 ext 5026
www.liteon-pss.com
 email: pss.sales@liteon.com